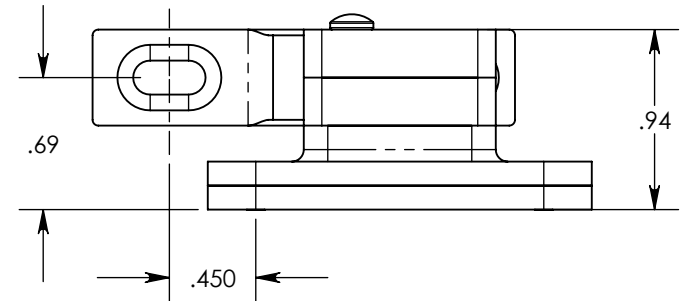
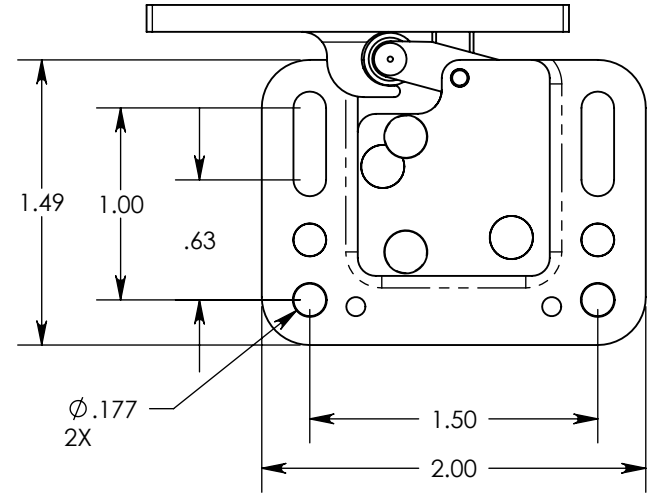
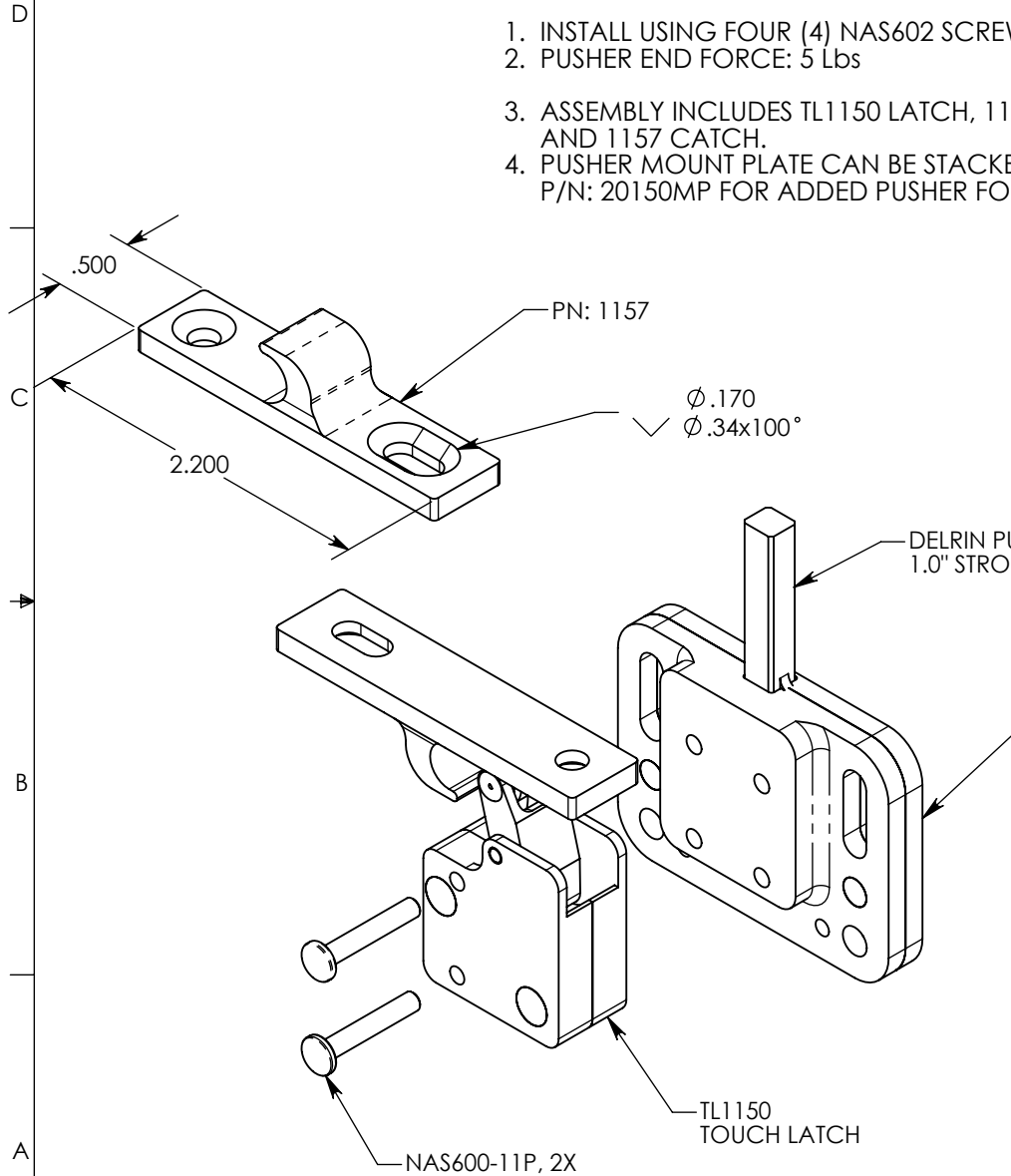


THE INFORMATION CONTAINED IN THIS DRAWING IS THE SOLE PROPERTY OF Saint Louis Designs, Inc. ANY REPRODUCTION IN PART OR WHOLE WITHOUT THE WRITTEN PERMISSION OF Saint Louis Designs, Inc. IS PROHIBITED.

| REVISIONS | | DATE |
|-----------|---|------------|
| IR | INITIAL RELEASE | 4/15/2002 |
| A | UPDATED DRAWING, REDUCED OVERALL HEIGHT | 12/21/2006 |

NOTES:

1. INSTALL USING FOUR (4) NAS602 SCREWS.
2. PUSHER END FORCE: 5 Lbs
3. ASSEMBLY INCLUDES TL1150 LATCH, 1170 MOUNT PLATE AND 1157 CATCH.
4. PUSHER MOUNT PLATE CAN BE STACKED WITH P/N: 20150MP FOR ADDED PUSHER FORCE.



| | | | | | |
|---|---|------------------|---|--------------|--|
| UNLESS OTHERWISE SPECIFIED DIMENSIONS ARE IN INCHES TOLERANCES ARE: .XX = ±.010 .XXX = ±.005 ANGULAR = ±1° SURFACE = 32 RMA OR BETTER | CAD GENERATED DRAWING. DO NOT MANUALLY UPDATE. | | Saint Louis Designs, Inc. P.O. BOX 3400, AUSTIN, TX 78764 (800) 431-6684, info@saintlouisdesigns.com | | |
| | APPROVAL | DATE | | | |
| MATERIAL SEE PART DETAILS | DRAWN MSTL | DATE 12/21/06 | TOUCH LATCH / PUSHER WEIGHT: 65 Grams LOAD: 300 Lbs Plus | | |
| FINISH SEE PART DETAILS | CHECKED | | | | |
| | | SIZE A | PART # TL1170 ASSEMBLY | | |
| DO NOT SCALE DRAWING | | SCALE: | CAD FILE: | SHEET 1 OF 1 | |