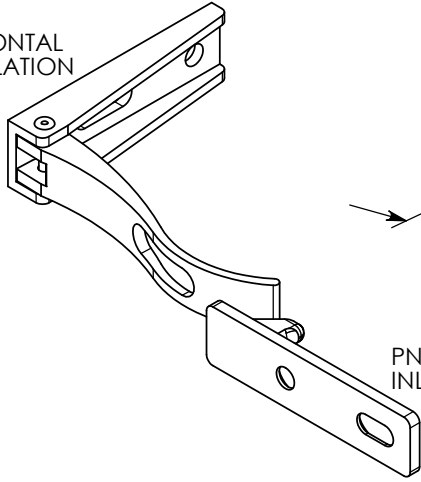


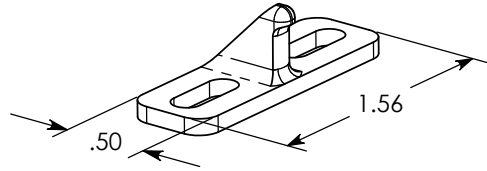
THE INFORMATION CONTAINED IN THIS DRAWING IS THE SOLE PROPERTY OF Saint Louis Designs, Inc. ANY REPRODUCTION IN PART OR WHOLE WITHOUT THE WRITTEN PERMISSION OF Saint Louis Designs, Inc. IS PROHIBITED.

REVISIONS		DATE
IR	INITIAL RELEASE	

HORIZONTAL INSTALLATION

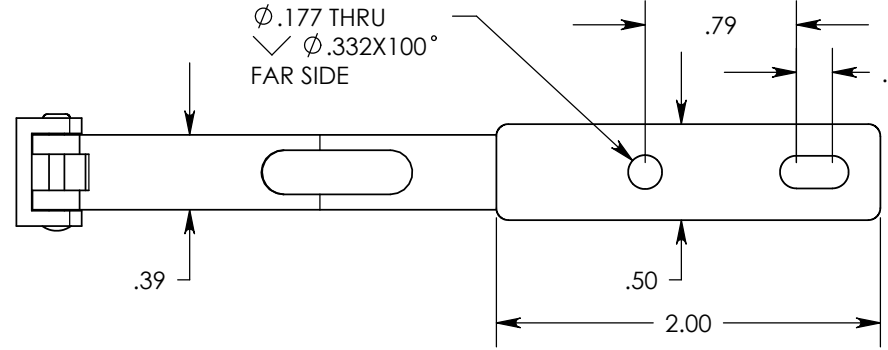


PN: 1053  
CROSS MOUNT STRIKE



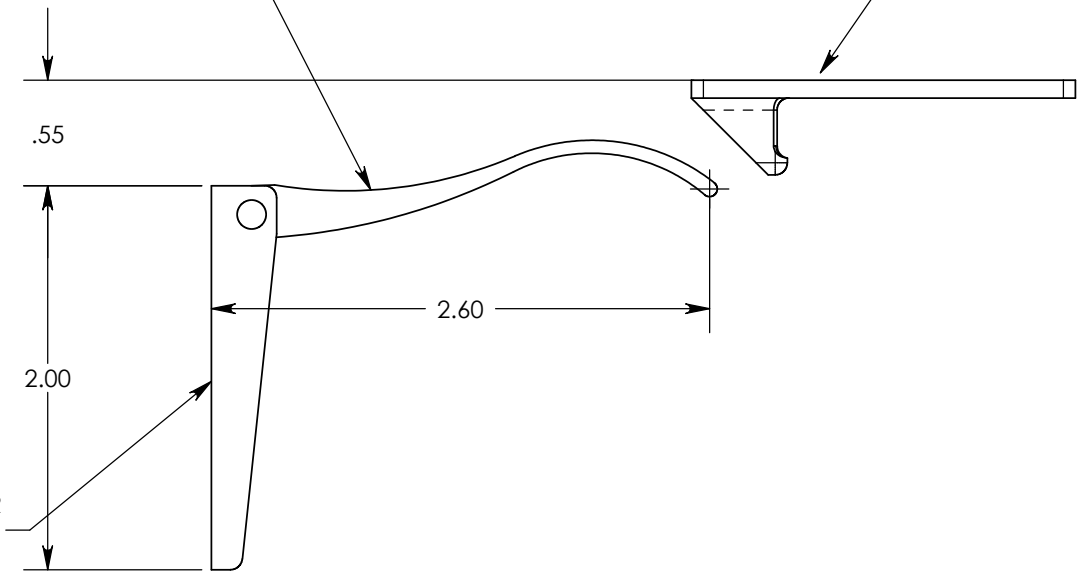
PN: 1073  
INLINE STRIKE

$\phi .177$  THRU  
 $\sphericalangle \phi .332 \times 100^\circ$   
FAR SIDE

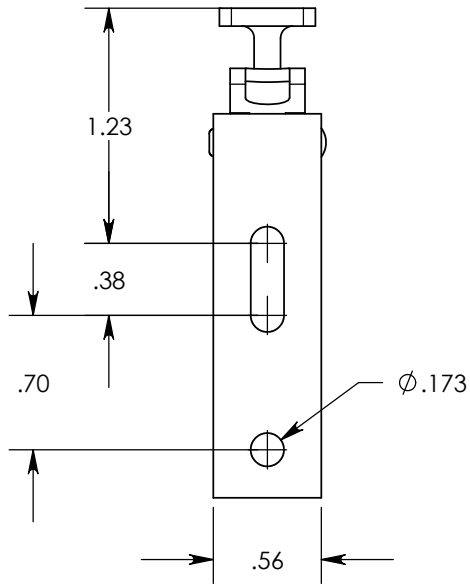


PRESS TO UNLOCK

ATTACH TO FRAME



ATTACH TO DOOR  
OR DRAWER



NOTES:

1. INSTALL LATCH USING TWO (2) NAS602 SCREWS
2. LATCH CAN BE INSTALLED VERTICAL OR HORIZONTAL.
3. LATCH CAN BE USED WITH EITHER STRIKE (1053 or 1073).
4. INSTALL STRIKE (PN:1053) USING TWO (2) NAS602 SCREWS;  
FOR STRIKE (PN: 1073) USE TWO (2) NAS514-832 SCREWS.

UNLESS OTHERWISE SPECIFIED  
DIMENSIONS ARE IN INCHES  
TOLERANCES ARE:

XX =  $\pm .010$   
XXX =  $\pm .005$   
ANGULAR =  $\pm 1^\circ$   
SURFACE = 32 RMA OR BETTER

CAD GENERATED DRAWING.  
DO NOT MANUALLY UPDATE.

APPROVAL	DATE
DRAWN MSTL	10/5/2002
CHECKED	

MATERIAL  
Al 6061-T6  
QQ-A-200/8  
QQ-A-200/16 or ASTM-B-221  
QQ-A-250/11 or ASTM-B-209

FINISH  
BLACK ANODIZE  
MIL-A-8625F  
TYPE 2, CLASS 2

**Saint Louis Designs, Inc.**

P.O. BOX 3400, AUSTIN, TX 78764

(800) 431-6684, info@saintlouisdesigns.com

SECONDARY LATCH, MINI  
WEIGHT: 18 Grams

SIZE PART #  
A SC1070

DO NOT SCALE DRAWING

SCALE: CAD FILE:

SHEET 1 OF 1