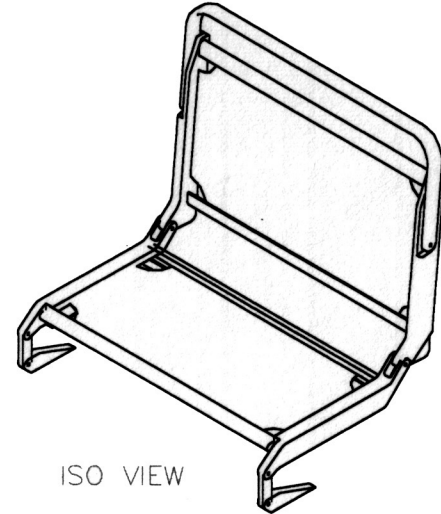
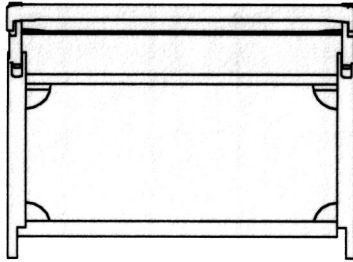
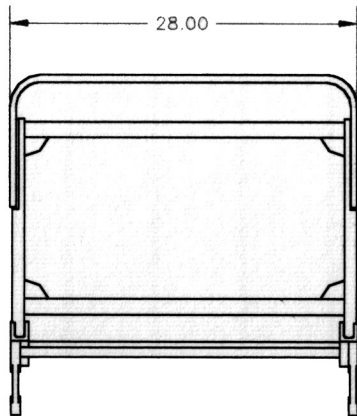


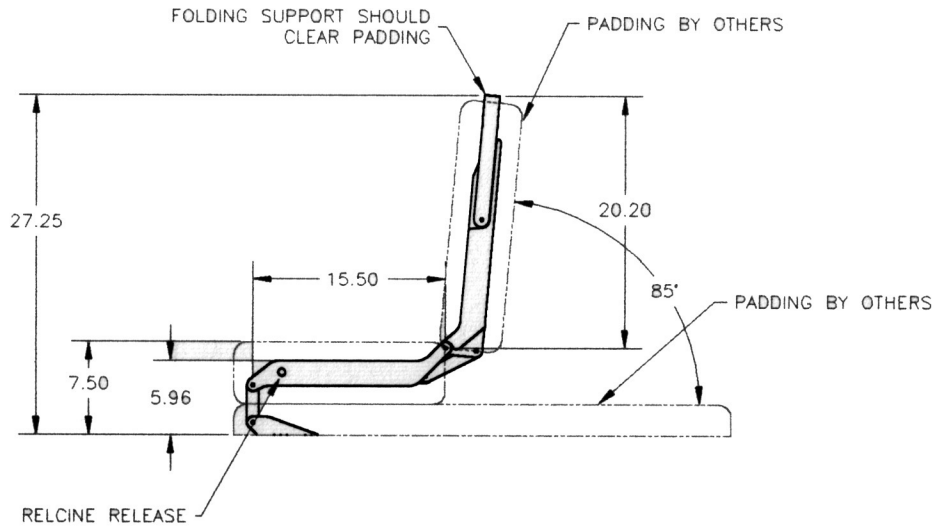
TOP VIEW



ISO VIEW



FRONT VIEW



SIDE VIEW

Saint Louis Designs, Inc. PO Box 3400 Austin, TX 78764 512-707-7127 st-louis@swbell.net	Client Co.	N/A	
	Contact:		
	Project:	CREW REST	
	DWG Title:	OPERATION	
	File Name:	VIEWS	
	Part Number:	TBD	
	Material:	SEE PART DETAILS	
	Specification:	-	
	Finish:	SEE PART DETAILS	
	Spec.:	-	
Size:	N/A	Scale:	FULL
Revision:	IR	Date:	12/3/99
Status:	PROPRIETARY		
Tolerances:	All Machined Surfaces 32/ .XX = ±.010 .XXX = ±.002 Angular = ± 1°		
Unless otherwise stated			