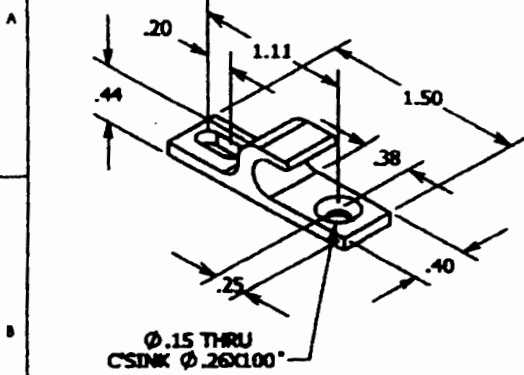
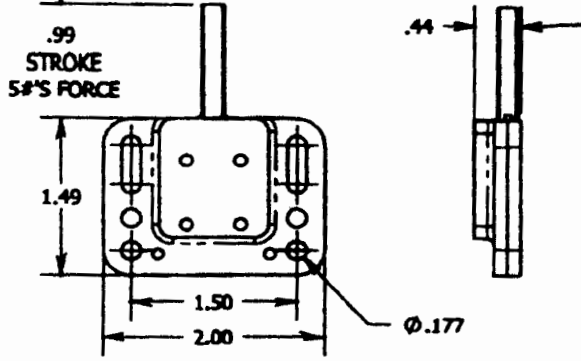


THE INFORMATION CONTAINED IN THIS DRAWING IS THE SOLE PROPERTY OF Saint Louis Designs, Inc. ANY REPRODUCTION IN PART OR WHOLE WITHOUT THE WRITTEN PERMISSION OF Saint Louis Designs, Inc. IS PROHIBITED.



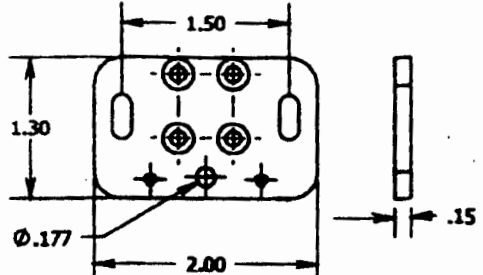
**OPTIONAL STRIKE  
PN: 1012**



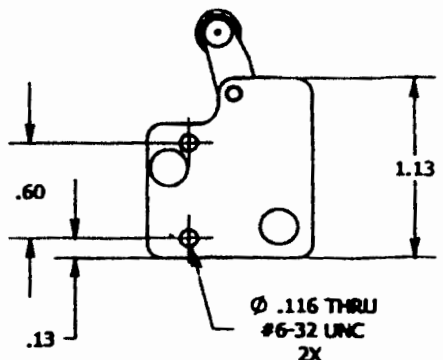
**OPTIONAL  
PUSHER MOUNT PLATE  
PN: 1170**

**NOTES:**

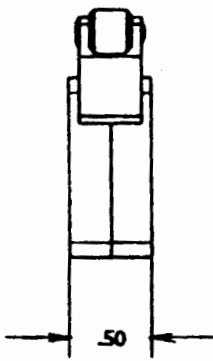
1. INSTALL LATCH USING #4 SCREWS (2X).
2. 0.06" TRAVEL REQUIRED TO UNLOCK FROM LOCKED POS.
3. LATCH CAN BE USED LEFT OR RIGHT HAND ON MOUNT PLATE.
4. LATCH CAN BE USED WITH OR WITHOUT MOUNT PLATE.
5. LATCH CAN BE INSTALLED BLIND USING #6-32 SCREWS (2X)



**OPTIONAL MOUNT PLATE  
PN: 1156**



**TOUCH LATCH  
PN: TL860**



UNLESS OTHERWISE SPECIFIED  
DIMENSIONS ARE IN INCHES  
TOLERANCES ARE:  
.015 - .500  
.0015 - .015  
HOLE DIA = .015  
SURFACE = 32 PRAA OR BETTER

**FINISH:**  
BLACK ANODIZE  
MIL-A-8625F  
TYPE 2, CLASS 2

**DEBUR AND  
BREAK SHARP  
EDGES**

**SAINT LOUIS DESIGNS, INC**  
P.O. Box 3400 ph: (512) 472-4711  
Austin, Tx 78764 fax: (512) 707-9595  
www.saintlouisdesigns.com

NAME	SIGNATURE	DATE		
DRAWN: MSTL		7/5/07		
CHECKED:				
APPROVED:				
MFG:				
QA:			MATERIAL:	
			VARIOUS	
			WEIGHT:	

TITLE:	TOUCH LATCH WEIGHT: 0.035 Lbs LOAD: >225 Lbs
DWG NO:	TL860
SCALE 1:1	SHEET 1 OF 1