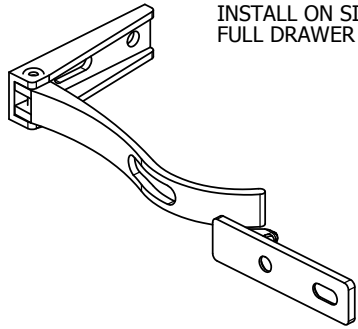
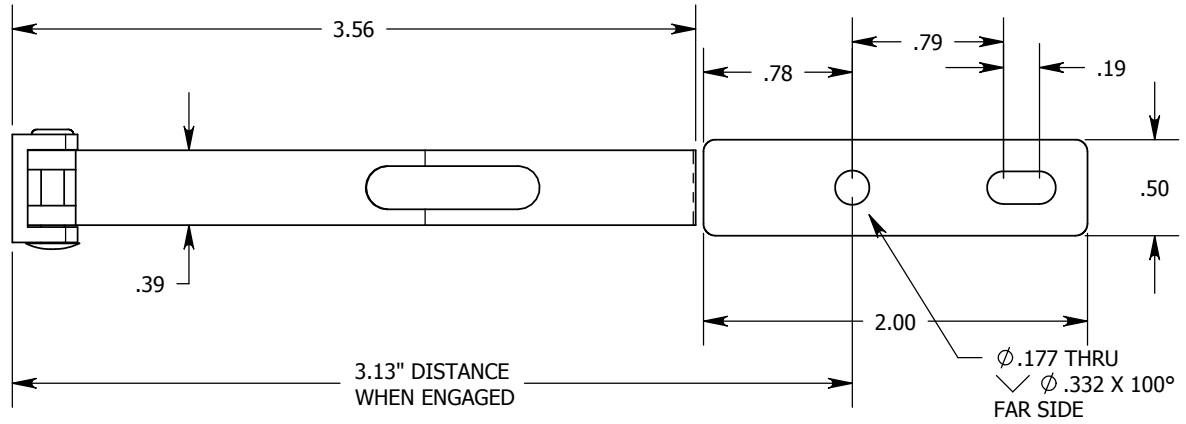


THE INFORMATION CONTAINED IN THIS DRAWING IS THE SOLE PROPERTY OF Saint Louis Designs, Inc. ANY REPRODUCTION IN PART OR WHOLE WITHOUT THE WRITTEN PERMISSION OF Saint Louis Designs, Inc. IS PROHIBITED.

REVISIONS		DATE
IR	INITIAL RELEASE	9/5/2001
A	REDUCED WEIGHT OF MOUNT	6/3/2002
B	REDUCED WEIGHT OF ENTIRE ASSEMBLY	1/15/2005



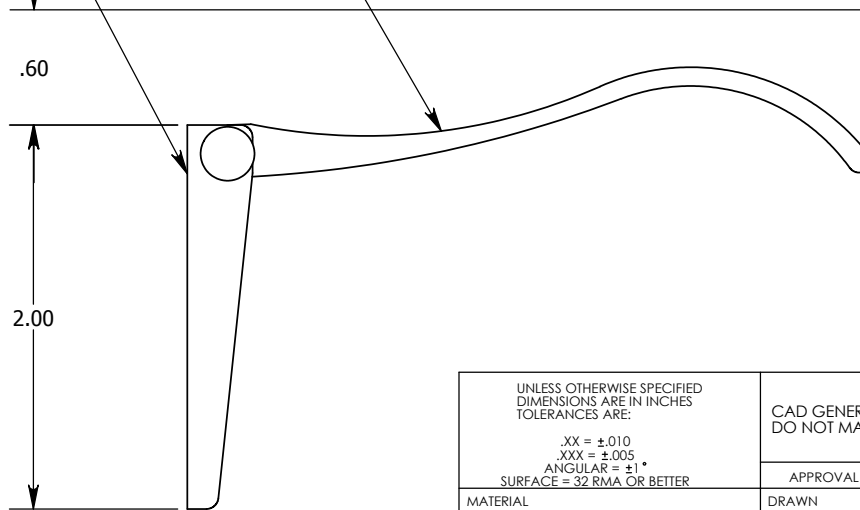
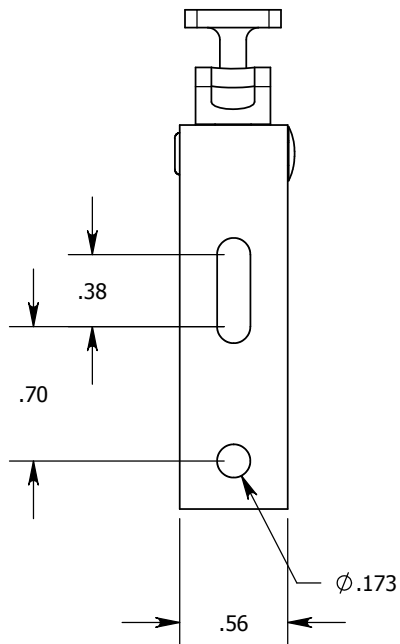
INSTALL ON SIDE TO ALLOW FULL DRAWER ACCESS.



ATTACH TO DOOR OR DRAWER

PRESS TO RELEASE

ATTACH TO FRAME  
PN: 1073



NOTES:  
VERTICAL OR HORIZONTAL INSTALLATION  
USE NAS602 OR EQUIV. SCREW TO ATTACH LEVER.  
USE NAS514-832 OR EQUIV. SCREW TO ATTACH STRIKE.

UNLESS OTHERWISE SPECIFIED  
DIMENSIONS ARE IN INCHES  
TOLERANCES ARE:

.XX = ±.010  
.XXX = ±.005  
ANGULAR = ±1°  
SURFACE = 32 RMA OR BETTER

CAD GENERATED DRAWING.  
DO NOT MANUALLY UPDATE.

APPROVAL	DATE
DRAWN MSTL	9/5/2001
CHECKED	

MATERIAL  
Al 6061-T6  
QQ-A-200/8  
QQ-A-200/16 or ASTM-B-221  
QQ-A-250/11 or ASTM-B-209

FINISH  
BLACK ANODIZE  
MIL-A-8625F  
TYPE 2, CLASS 2

**Saint Louis Designs, Inc.**

P.O. BOX 3400, AUSTIN, TX 78764

(800) 431-6684, saintlouisdesigns.com

SECONDARY SPRING CATCH W/  
INLINE STRIKE  
400 Lbs LIMIT  
16 Grams

SIZE PART #  
A SC1060

DO NOT SCALE DRAWING

SCALE: CAD FILE: SHEET 1 OF 1