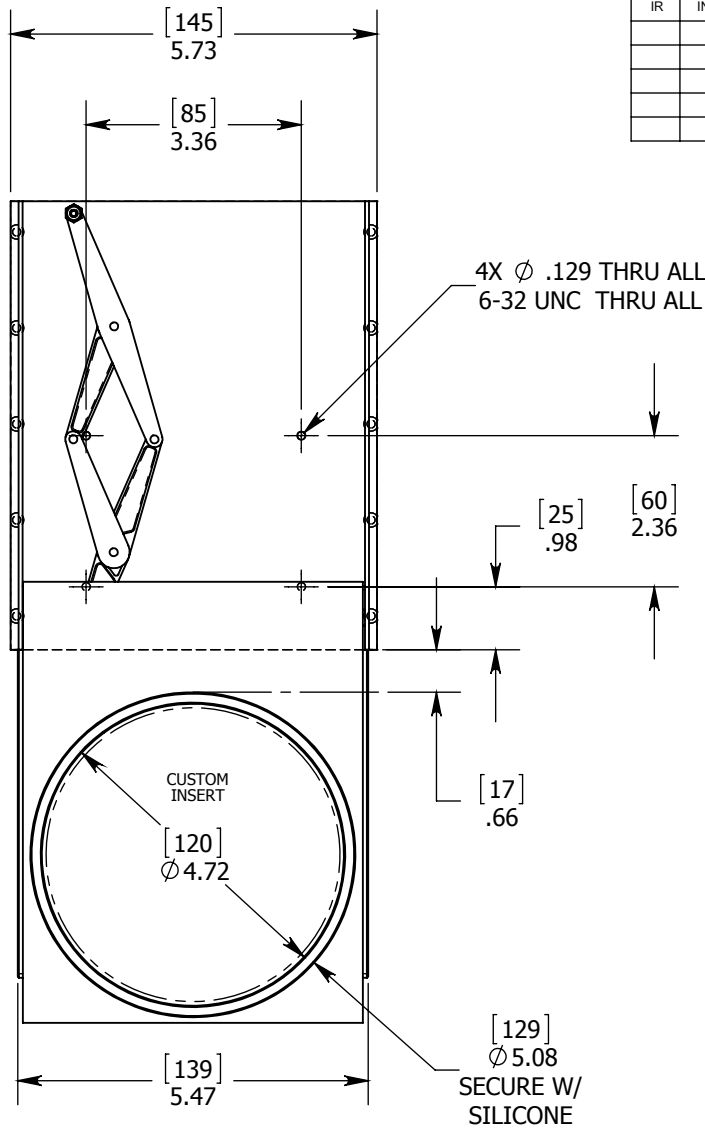
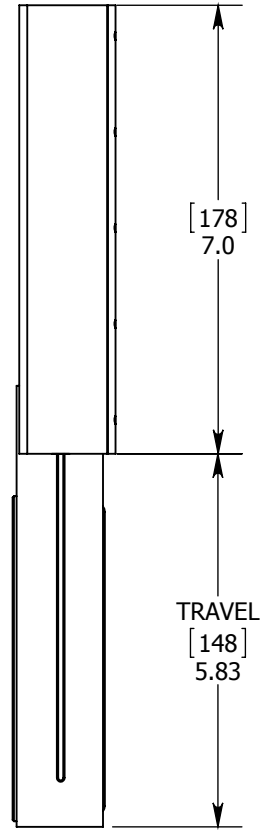


REVISIONS		DATE
IR	INITIAL RELEASE	

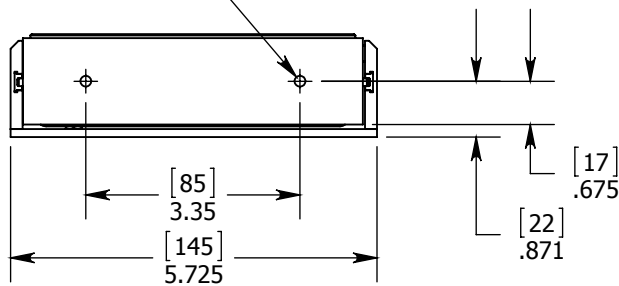
TOP VIEW



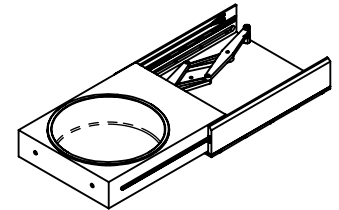
SIDE VIEW



ϕ .17
2X



FRONT VIEW



PROPRIETARY AND CONFIDENTIAL
THE INFORMATION CONTAINED IN THIS DRAWING IS THE SOLE PROPERTY OF SAINT LOUIS DESIGNS. ANY REPRODUCTION IN PART OR AS A WHOLE WITHOUT THE WRITTEN PERMISSION OF SAINT LOUIS DESIGNS IS PROHIBITED.

		UNLESS SPECIFIED OTHERWISE DIMENSIONS ARE IN INCHES TOLERANCES: ANGULAR: $\pm 1^\circ$ TWO PLACE DECIMAL ± 0.01 THREE PLACE DECIMAL ± 0.005 SURFACE FINISH: 32 RMA	NAME	DATE
			DRAWN	MSTL 6/1/2013
			CHECKED	
			ENG APPR.	
		MATERIAL	MFG APPR.	MSTL 6/1/2013
		N/A	Q.A.	
		FINISH ALL PARTS TO BE ANODIZED BLACK EXCEPT CUP INSERT	COMMENTS: INSTALL USING: NAS601 SCREW OR EQUIV. 4X	
	DEBUR AND BREAK SHARP EDGES	DO NOT SCALE DRAWING	SIZE	DWG. NO.

Saint Louis Designs, Inc.

PO BOX 3400, Austin, TX78764
512-472-4711, www.saintlouisdesigns.com

Cup Tray, Retractable
Custom 120mm
Drink Insert

SCALE: 1:3	WEIGHT: 1.3860	SHEET 1 OF 1
------------	----------------	--------------