

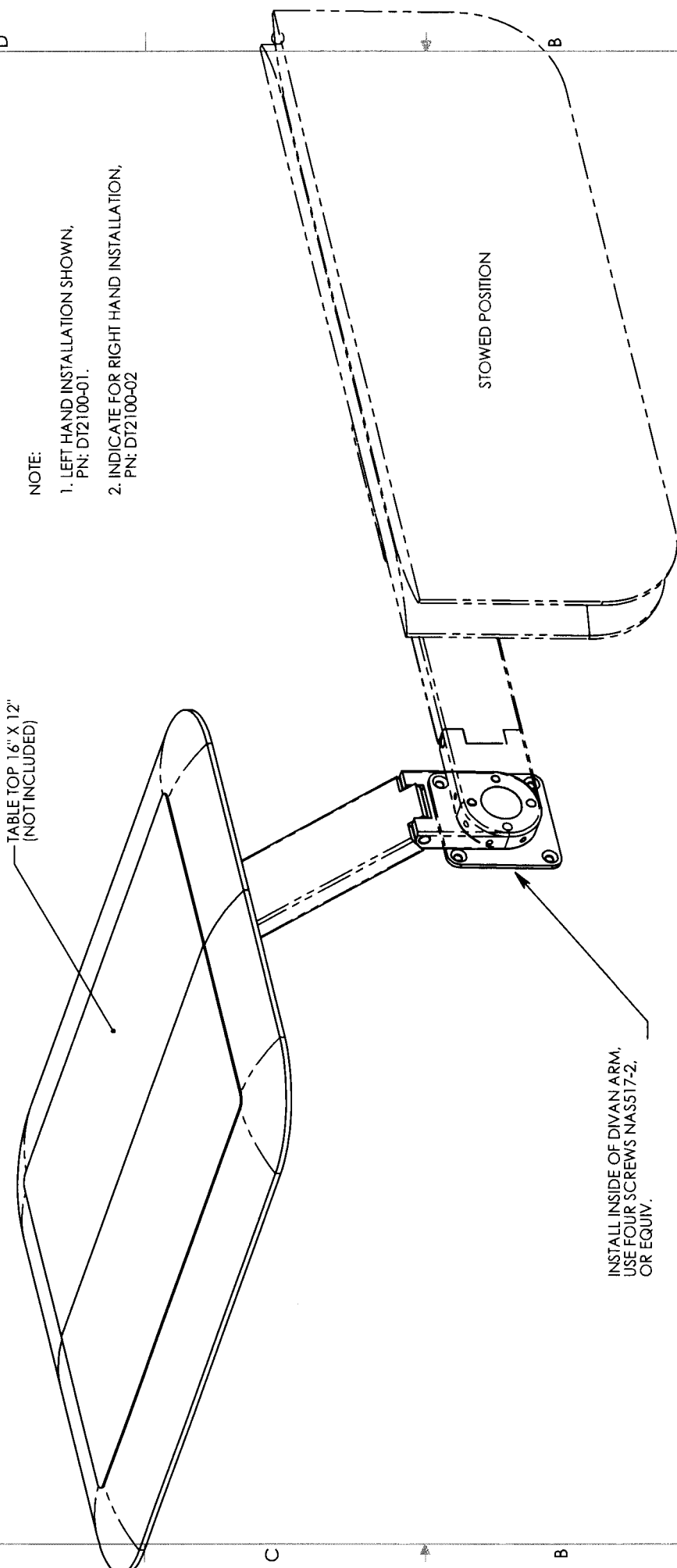
THE INFORMATION CONTAINED IN THIS DRAWING IS THE SOLE PROPERTY OF Saint Louis Designs, Inc. ANY REPRODUCTION IN PART OR WHOLE WITHOUT THE WRITTEN PERMISSION OF Saint Louis Designs, Inc. IS PROHIBITED.

8 7 6 5 4 3 2 1

IR	INITIAL RELEASE	REVISIONS	DATE

TABLE TOP 16" X 12"  
(NOT INCLUDED)

- NOTE:
- LEFT HAND INSTALLATION SHOWN,  
PN: DT2100-01.
  - INDICATE FOR RIGHT HAND INSTALLATION,  
PN: DT2100-02



INSTALL INSIDE OF DIVAN ARM,  
USE FOUR SCREWS NASS17-2,  
OR EQUIV.

UNLESS OTHERWISE SPECIFIED DIMENSIONS ARE IN INCHES TOLERANCES ARE: .XX = ±0.10 .XXX = ±0.05 ANGLE = ±0.05° SURFACE = 32 RMA OR BETTER	CAD GENERATED DRAWING: DO NOT MANUALLY UPDATE.		<b>Saint Louis Designs, Inc.</b> P.O. Box 3400, Austin, TX 78764 (512) 472-4711 ph www.saintlouisdsgns.com	
	APPROVAL DRAWN MSTL	DATE 3/21/2001	DIVAN ARM TABLE HORIZONTAL STOW	
	MATERIAL SEE PART DETAILS		FINISH BLACK ANODIZE MIL-A-8625F TYPE 2, CLASS 2 OR CUST. SPEC.	SAE PART # DT2100-X
DO NOT SCALE DRAWING			SCALE 2	CAD FILE DT2100-X
SHEET 1 OF 2				REV. IR

8 7 6 5 4 3 2 1