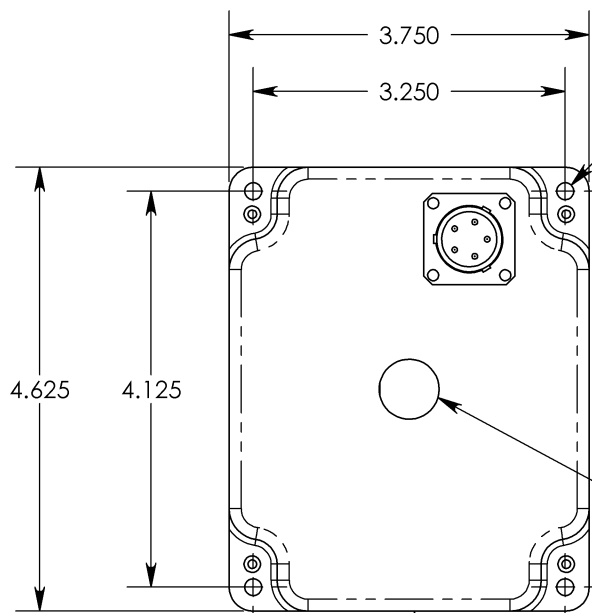
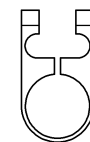
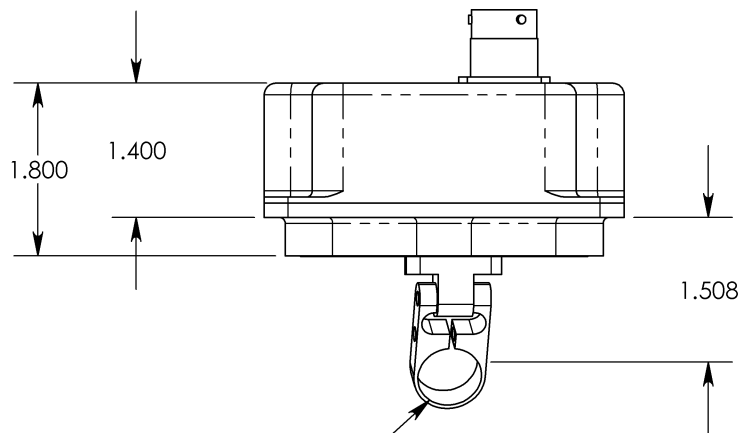
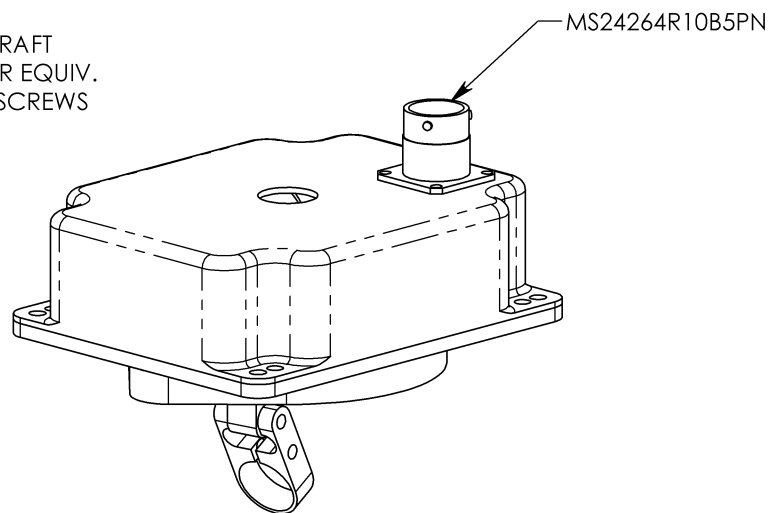


THE INFORMATION CONTAINED IN THIS DRAWING IS THE SOLE PROPERTY OF Saint Louis Designs, Inc. ANY REPRODUCTION IN PART OR WHOLE WITHOUT THE WRITTEN PERMISSION OF Saint Louis Designs, Inc. IS PROHIBITED.

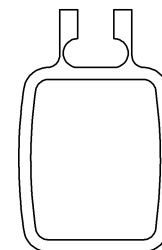
REVISIONS		DATE
IR	INITIAL RELEASE	
A	ADDED OPTIONAL-10 CAMERA CLIP, AND ALTERNATE NAS603 SCREW	6/5/2006



Ø.177, 4X, ATTACH TO AIRCRAFT USING FOUR NAS602 SCREWS OR EQUIV. ALTERNATE: USE FOUR NAS603 SCREWS



-8 CAMERA CLIP



-10 CAMERA CLIP

UNLESS OTHERWISE SPECIFIED DIMENSIONS ARE IN INCHES TOLERANCES ARE: .XX = ±.010 .XXX = ±.005 ANGULAR = ±1° SURFACE = 32 RMA OR BETTER	CAD GENERATED DRAWING. DO NOT MANUALLY UPDATE.		Saint Louis Designs, Inc. P.O. BOX 3400, AUSTIN, TX 78764 (800) 431-6684, www.saintlouisdesigns.com	
	APPROVAL	DATE		
MATERIAL	DRAWN	MSTL	2/16/2006	
	CHECKED			
FINISH BLACK ANODIZE	WEIGHT	1.56		CAMERA MOUNT, PANNING
	SIZE A	PART #	CPM200-XX	
DO NOT SCALE DRAWING		SCALE:	CAD FILE:	SHEET 1 OF 1