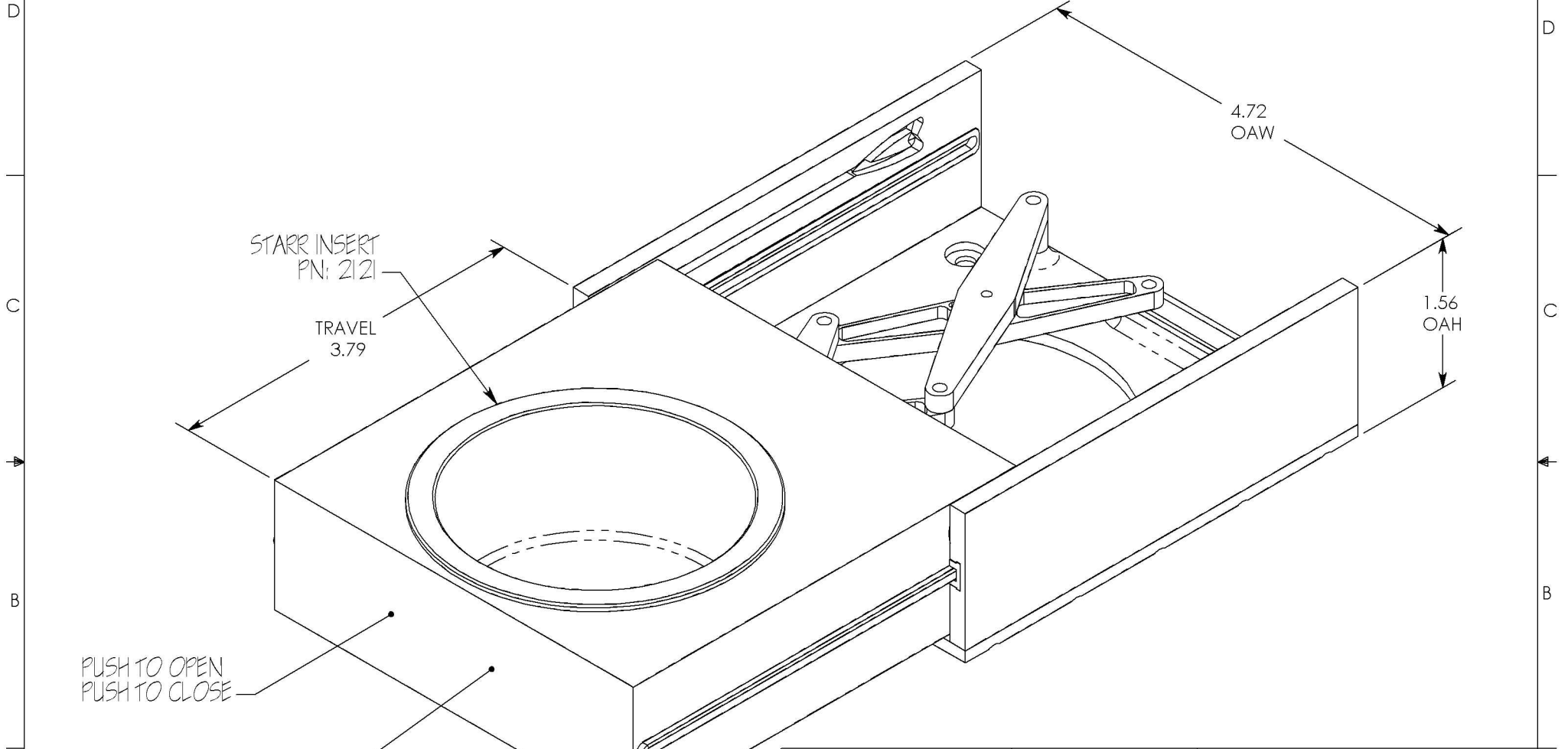


THE INFORMATION CONTAINED IN THIS DRAWING IS THE SOLE PROPERTY OF Saint Louis Designs, Inc. ANY REPRODUCTION IN PART OR WHOLE WITHOUT THE WRITTEN PERMISSION OF Saint Louis Designs, Inc. IS PROHIBITED.

REVISIONS		DATE
IR	INITIAL RELEASE	



PUSH TO OPEN
PUSH TO CLOSE

ATTACH DECORATIVE TRIM

UNLESS OTHERWISE SPECIFIED
DIMENSIONS ARE IN INCHES
TOLERANCES ARE:

XX = ±.010
XXX = ±.005
ANGULAR = ±1°
SURFACE = 32 RMA OR BETTER

CAD GENERATED DRAWING.
DO NOT MANUALLY UPDATE.

APPROVAL	DATE
DRAWN MSTL	5/6/2003
CHECKED	

MATERIAL
Al 6061-T6
QQ-A-200/8
QQ-A-200/16 or ASTM-B-221
QQ-A-250/11 or ASTM-B-209

FINISH
BLACK ANODIZE
MIL-A-8625F
TYPE 2, CLASS 2

Saint Louis Designs, Inc.

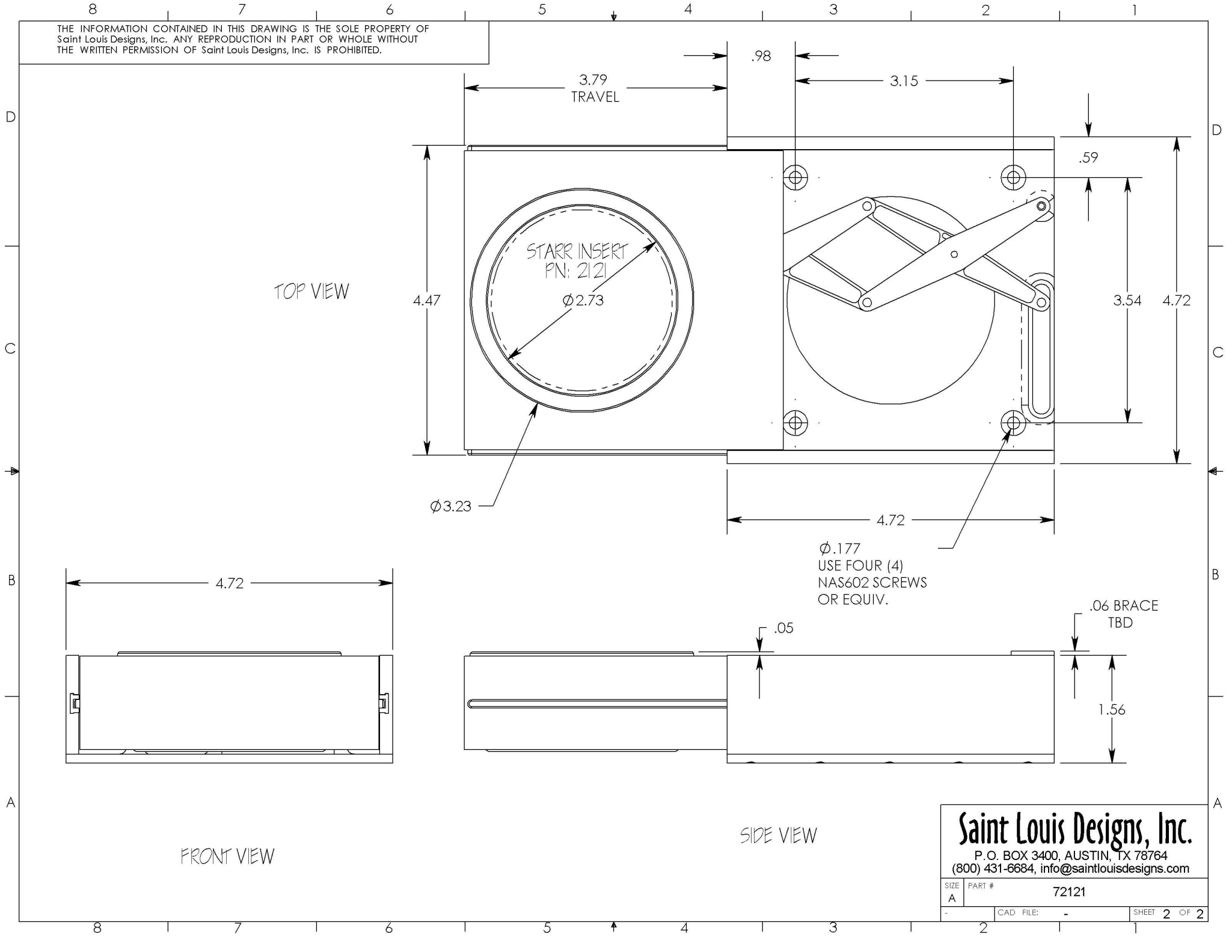
P.O. BOX 3400, AUSTIN, TX 78764

(800) 431-6684, info@saintlouisdesigns.com

CUP INSERT TRAY
USE STARR PN: 2121

SIZE PART #
A 72121

THE INFORMATION CONTAINED IN THIS DRAWING IS THE SOLE PROPERTY OF Saint Louis Designs, Inc. ANY REPRODUCTION IN PART OR WHOLE WITHOUT THE WRITTEN PERMISSION OF Saint Louis Designs, Inc. IS PROHIBITED.



Saint Louis Designs, Inc.
P.O. BOX 3400, AUSTIN, TX 78764
(800) 431-6684, info@saintlouisdesigns.com

SIZE	PART #
A	72121
-	
CAD FILE:	-
SHEET 2 OF 2	