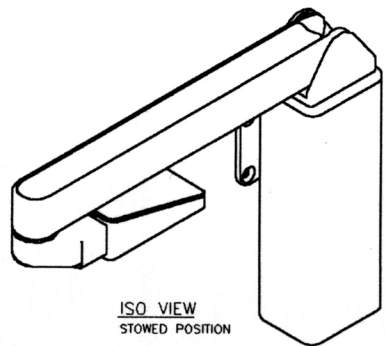
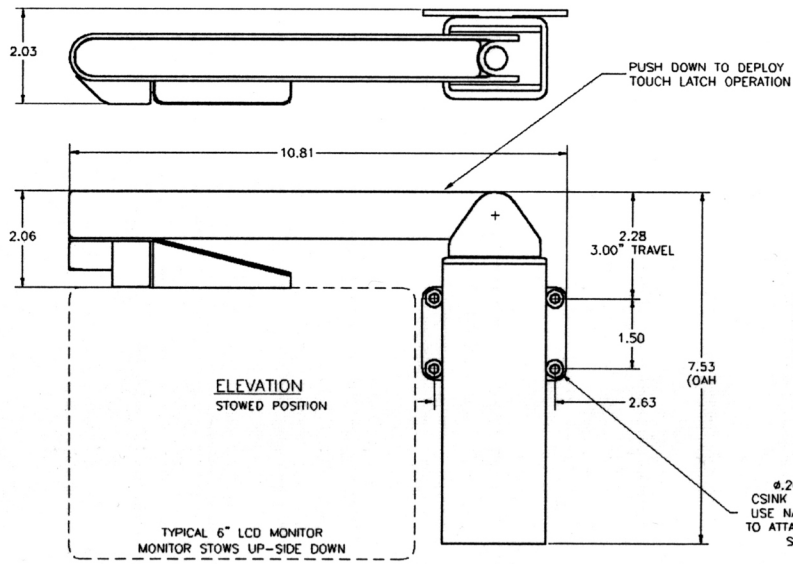


TOP VIEW
STOWED POSITION



Ø.201 THROUGH CSINK Ø.39 X 100°.4X USE NAS517-3 SCREWS TO ATTACH TO AIRCRAFT STRUCTURE.

Saint Louis Design, Inc. P.O. Box 3400 Austin, TX 78764 512-707-7127 st-louis@swbell.net	Client Co.	N/A
	Contact:	
	Project:	5000
	DWG Title:	LCD POCKET MOUNT
	File Name:	5000
	Part Number:	5000-01 / LEFT SHOWN
	Material:	SEE PART DETAILS
	Specification:	-
	Finish:	SEE PART DETAILS
	Spec.:	-
Size:	C	Scale: FULL
Revision:	IR	Date: 8/29/99
Status:	PROPRIETARY	
Tolerances:	All Machined Surfaces 32/ .XX = ±.010 .XXX = ±.002 Angular = ± 1°	
Unless otherwise stated		