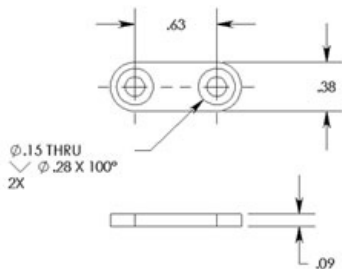


THE INFORMATION CONTAINED IN THIS DRAWING IS THE SOLE PROPERTY OF Saint Louis Designs, Inc. ANY REPRODUCTION IN PART OR WHOLE WITHOUT THE WRITTEN PERMISSION OF Saint Louis Designs, Inc. IS PROHIBITED.

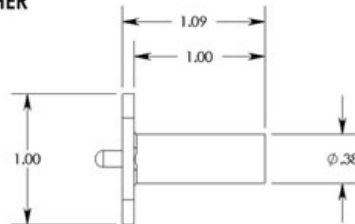
HIDDEN PUSHER

USE TO ASSIST THE OPENING OF A CABINET DOOR.
PREVENTS HAVING TO USE A STANDARD LARGE VISIBLE PUSHER.
INSTALLS FLUSH IN THE EDGE OF THE PANEL. INSTALL THE STRIKE PLATE OPPOSITE TO THE PUSHER.
CAN BE USED WITH ANY HINGE COMMONLY USED IN CABINETRY.

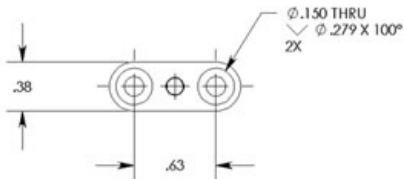
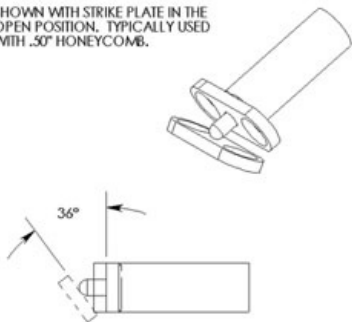
STRIKE PLATE



PUSHER



SHOWN WITH STRIKE PLATE IN THE OPEN POSITION. TYPICALLY USED WITH .30" HONEYCOMB.



∅.150 THRU
√ ∅.279 X 100°
2X

UNLESS OTHERWISE SPECIFIED DIMENSIONS ARE IN INCHES. TOLERANCES ARE:

.XX = ±.010
.XXX = ±.005
ANGULAR = ±1°
SURFACE = 32 RMA OR BETTER

CAD GENERATED DRAWING.
DO NOT MANUALLY UPDATE.

APPROVAL DATE

DRAWN M5TL 6/3/2001

CHECKED

MATERIAL 303 SST

FINISH N/A

Saint Louis Designs, Inc.

P. O. BOX 3400, AUSTIN, TX 78764

(512) 707-7127, st-louis@texas.net

HIDDEN PUSHER

SHEET A PART # 20100HP

REV. IR

D.O. NOT SCALE DRAWING

SCALE: CAD FILE

SHEET 1 OF 1