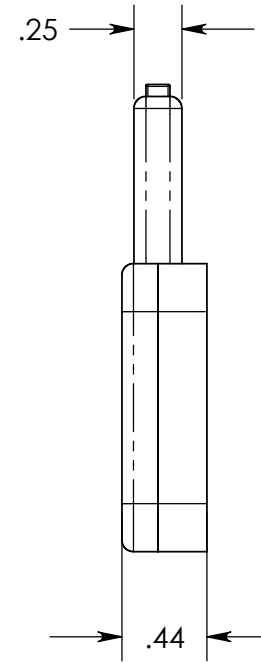
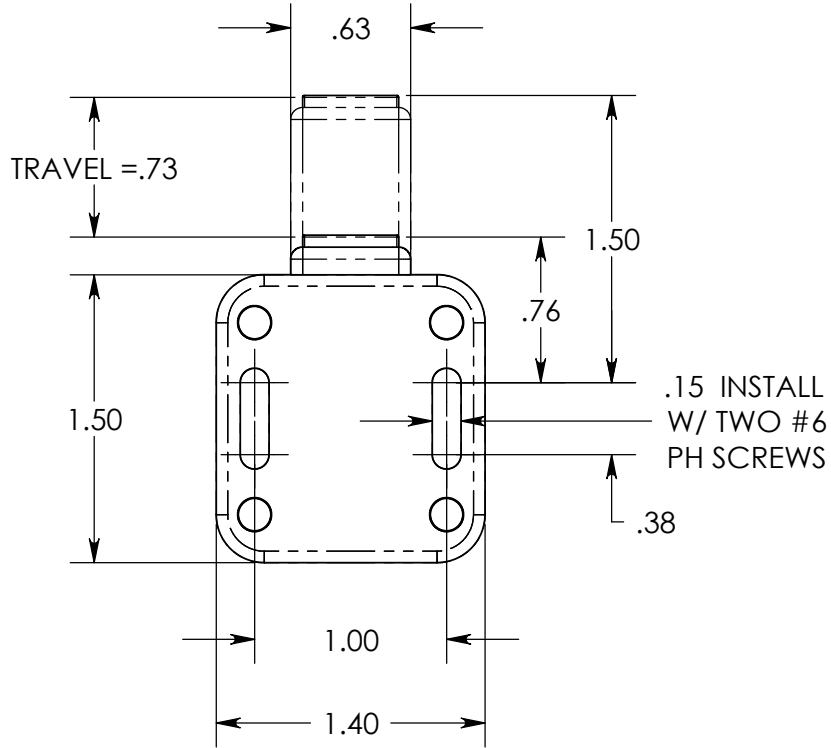
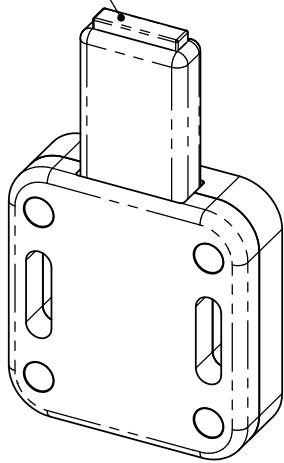


THE INFORMATION CONTAINED IN THIS DRAWING IS THE SOLE PROPERTY OF Saint Louis Designs, Inc. ANY REPRODUCTION IN PART OR WHOLE WITHOUT THE WRITTEN PERMISSION OF Saint Louis Designs, Inc. IS PROHIBITED.

REVISIONS		DATE
IR	INITIAL RELEASE	



MAGNETIC TIP



UNLESS OTHERWISE SPECIFIED
DIMENSIONS ARE IN INCHES
TOLERANCES ARE:

.XX = ±.010
.XXX = ±.005
ANGULAR = ±1°
SURFACE = 32 RMA OR BETTER

CAD GENERATED DRAWING.
DO NOT MANUALLY UPDATE.

APPROVAL	DATE
DRAWN MSTL	11/19/04
CHECKED	

Saint Louis Designs, Inc.

P.O. BOX 3400, AUSTIN, TX 78764

(800) 431-6684, www.saintlouisdesigns.com

LATCHING PUSHER

FORCE: 6 Lbs. MAGNETIC HOLD: ~3 Lbs
WEIGHT: 20 Grams
TRAVEL TO RELEASE: 0.08"

FINISH
BLACK ANODIZE

SIZE PART #
A 20075LP

DO NOT SCALE DRAWING

SCALE: CAD FILE:

SHEET 1 OF 1